

TECHNICAL DATA SHEET

GLASSWASHER | PE435

Code 4012335

12 Month Parts & Labour Warranty

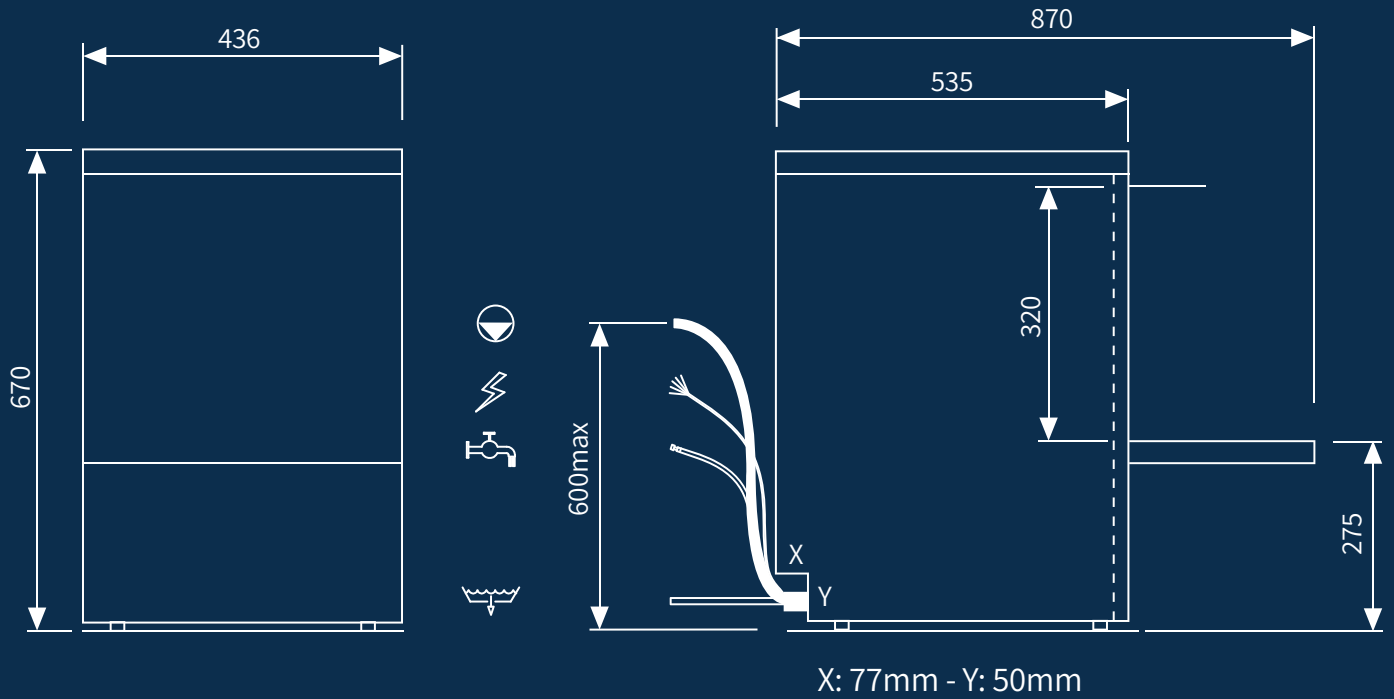


| | | | |
|---|--|----------------|-------------------------------------|
| EXTERNAL DIMENSIONS, WEIGHT & VOLUME | Overall Dimension (Width-Depth-Height) *Open | mm | 436 x 535 (870*) x 670 (820 + Legs) |
| | Packaging Dimension (W x D x H) | mm | 520 x 610 x 840 |
| | Gross Weight | Kg | 35 |
| | Net Weight | Kg | 32 |
| | Volume | M ³ | 0.27 |
| CONSTRUCTION | Rack Size | mm | 400 x 400 |
| | Distance Between Rails | mm | 385 x 385 |
| | Rack's Drives/Frame Construction | | Flat, Special For 14" Racks |
| | Max Door/Hood Opening | mm | 320 |
| | Max Glasses/Plate Height | mm | 300 |
| | General Construction | | Single Skin |
| | Door/Hood Construction | | Double Skin |
| TANK | Tank Construction | | Welded |
| | Tank Volume | Litre | 8 |
| | Tank Heating Element | W | 630 |
| | Tank Surface Strainers | | Yes - Composite |
| WASH PUMP | Wash Pump Type | | Double Flow |
| | Wash Pump Power | W | 200 |
| | Wash Temperature | °C | 60 |
| BOILER | Boiler Type | | Pressurised |
| | Boiler Volume | Litre | 2.6 |
| | Back-Flow System | | Valve |
| | Boiler Heating Element | W | 2.730 |
| RINSE | Rinse Booster Pump | | No |
| | Rinse Booster Pump Power | W | - |
| | Rinse Temperature | °C | 65 |
| | Rinse Water Consumption | Litre/Rack | 1.8 |
| | Optimal External Water Pressure | Bar | 2 - 4 |
| DRAIN | Drain System | | Partial Drain |
| | Drain Pump | | Standard Built In |
| RINSE AID & DETERGENT DISPENSER | Rinse Aid Dispenser | Peristaltic | Yes |
| | Detergent Dispenser | Peristaltic | Yes |
| WASH | Wash Cycle | Sec | 60 -120 -150 |
| | Self Cleaning – Drain | | Yes |
| POWER | Electric Power | W | 3.600 |
| | Electric Connection | V - Ph - Hz | 240v 1n 50hz |
| | Fuse | Amp | 15 |
| WASH SOFTENER | Water Softener | | No |
| INSTALLED PARTS | Wire Rack 14" x 17" | N°1 | Yes |
| | Special Legs (H15cm) | N°4 | Yes |
| | Drain Hose | N°1 | Yes |
| | Fill Hose "Watermark" | N°1 | Yes |

TECHNICAL DATA SHEET

GLASSWASHER | PE435

Code 4012335



| DIMENSIONS & WEIGHT | Width | 436mm |
|------------------------|------------|----------------------------|
| | Depth | 535mm |
| | Height | 670mm (820 including legs) |
| | Net Weight | 32Kg |

